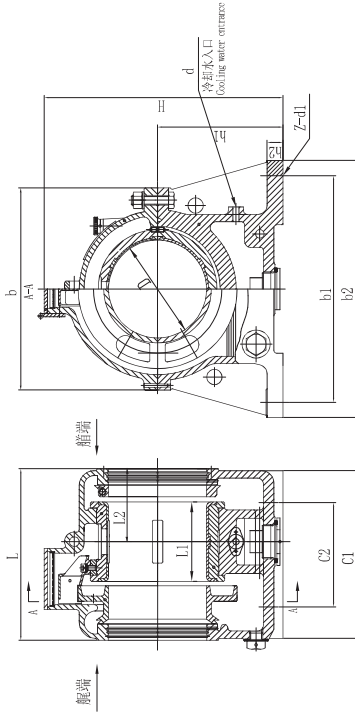




**说明**  
适用于各类船舶。中小型船舶建议选用A型、B型。  
B型不带上轴瓦。  
**Remarks:**  
It is suitable for inland water vessels. Small and medium vessels are suggested to choose type A and B. Type B has no upper bearing.

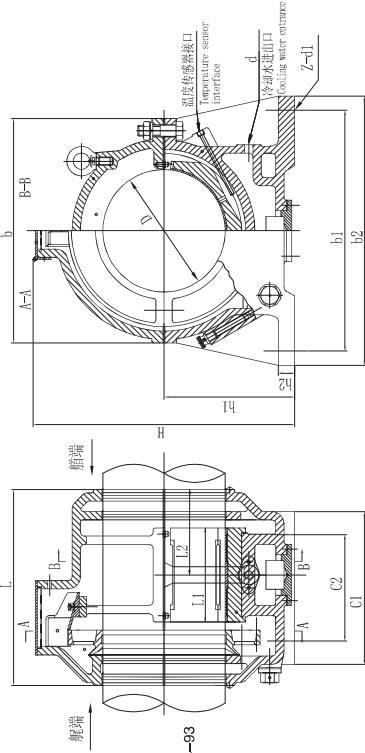
● **GB/T 14364-93型滑动式中间轴承**  
Drawing 1 A single oil wedge gliding intermediate bearing

船舶轴系产品  
Marine Shafting Products



标注示例:  
基本轴径  $\Phi 120\text{mm}$   
中间轴承A120 GB/T14364-93

图一 A型单油楔滑动式中间轴承  
Drawing 1 A single oil wedge gliding intermediate bearing



标注示例:  
基本轴径  $\Phi 280\text{mm}$   
中间轴承B280 GB/T14364-93

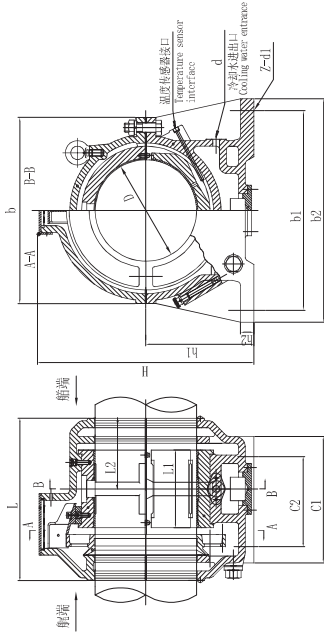
图二 B型多油楔滑动式中间轴承  
Drawing 2 B multi oil wedge gliding intermediate bearing



**说明**  
适用于各类船舶。大中型船舶建议选用B型、C型。大型船舶建议选用C型。  
**Remarks:**  
It is suitable for vessels in inland water. Medium and large vessels are suggested to choose type B and C. Large vessels are suggested to choose type C.

● **GB/T 14364-93型多油楔滑动式中间轴承**  
Drawing 3 C multi oil wedge gliding intermediate bearing

船舶轴系产品  
Marine Shafting Products



标注示例:  
基本轴径  $\Phi 420\text{mm}$   
中间轴承C420 GB/T14364-93

图三 C型多油楔滑动式中间轴承  
Drawing 3 Type C multi oil wedge gliding intermediate bearing

**技术参数**  
Technical parameters

轴径D Shaft diameter	L	L1	L2	H	H1	H2	b	b1	b2	c1	c2	d1	d	z	类型 Type
80	190	65	79.5	262	135	23	220	250	296	185	125	21	G <sup>+</sup>	4	A型
100	200	80	85	270	145	23	240	270	316	195	135	21	G <sup>+</sup>	4	
120	225	100	97	312	160	25	270	300	350	220	160	21	G <sup>+</sup>	4	
140	250	115	107.5	370	190	28	304	340	390	244	194	21	G <sup>+</sup>	4	
160	280	130	119	400	205	28	330	370	420	274	224	21	G <sup>+</sup>	4	B、C型
180	335	145	140	485	265	30	400	450	510	280	230	25	20	4	
200	350	160	140	496	275	35	410	450	510	326	250	25	20	4	
220	380	180	164	544	292	38	430	490	566	374	298	25	20	4	
250	420	195	187	580	300	40	490	530	610	322	250	32	20	4	A型
280	450	215	199	620	310	40	520	560	630	340	270	32	20	4	
300	480	230	209	635	320	40	550	590	660	370	298	32	20	4	
320	500	250	219	690	350	50	580	630	700	390	320	32	20	4	
350	530	270	236	780	400	50	650	700	840	418	334	38	20	4	B、C型
380	560	290	240	790	420	55	710	760	840	460	380	38	25	4	
400	590	300	260	810	440	55	730	780	860	480	400	38	25	4	
420	620	320	265	900	460	65	770	820	920	500	400	44	25	4	
450	660	340	280	930	480	65	810	840	940	528	424	44	32	4	B、C型
480	680	360	298	960	500	65	820	870	970	545	445	50	32	4	
500	710	380	305	1060	570	70	900	1000	1120	600	480	50	32	4	
530	730	410	315	1090	580	70	920	1020	1140	620	500	50	32	4	
560	780	430	355	1140	620	75	970	1080	1200	674	554	50	32	4	A型
600	820	460	380	1180	650	75	1000	1130	1260	700	580	50	32	4	
630	860	480	380	1220	670	80	1060	1170	1300	720	600	50	32	4	
670	920	510	421	1260	690	85	1150	1250	1370	750	630	50	32	6	
710	960	540	435	1330	710	85	1200	1340	1470	800	670	50	32	6	B、C型
750	1050	570	435	1400	750	90	1260	1420	1580	850	710	60	32	6	
800	1100	610	435	1480	800	90	1300	1460	1620	920	760	60	32	6	

注: 本表中尺寸仅供参考, 本产品可根据用户给定尺寸设计制造。

Note: The sizes of this table are for reference only. The product can be manufactured according to customers' request.



**说明**  
船舶轴系比压大于正常规范比压(0.6MPa)以上且需要调心要求的船舶轴系，适宜选用该类型的大比压中间轴承。

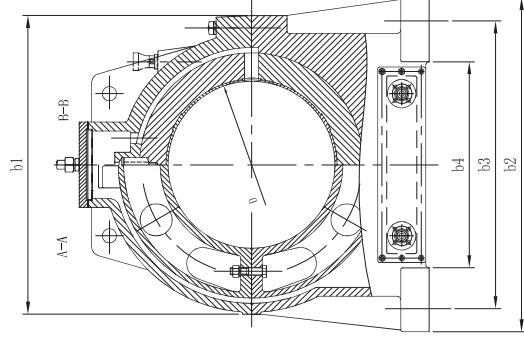
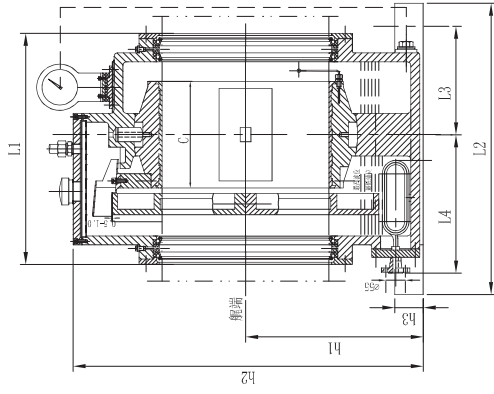
**Remarks:**  
This kind of large pressure intermediate bearing is suitable for vessels whose shafting pressure is (0.6MPa) larger than normative pressure and that need self-aligning.

### 舰用/船用 DTZ大比压调心中间轴承

Marine DTZ large pressure self-aligning intermediate bearing



船舶轴系产品  
Marine Shafting Products



DTZ大比压调心中间轴承  
DTZ large pressure self-aligning intermediate bearing

### 技术参数

Technical parameters

D	连接螺栓	b1	b2	b3	b4	c	h1	h2	h3	L1	L2	L3	L4
120-160	4 x M20	320	310	270	160	86	185	360	32	306	320	155	115
161-200	4 x M20	380	370	320	190	105	220	420	32	330	350	170	130
201-240	4 x M24	450	440	380	230	126	270	500	35	354	390	185	145
241-280	4 x M30	514	506	430	260	150	300	560	38	406	450	205	175
281-330	4 x M30	604	596	520	320	170	340	645	43	436	480	220	190
331-390	4 x M36	684	664	580	360	200	380	730	48	480	540	245	215
391-450	4 x M36	770	760	670	440	230	425	820	93	535	585	270	235
451-510	4 x M42	860	860	760	480	260	480	920	108	620	700	320	280
511-570	4 x M42	960	910	810	510	290	530	1020	120	670	740	340	300
571-650	4 x M48	1080	1030	910	570	330	610	1150	147	770	850	385	345
651-740	4 x M48	1190	1170	1020	660	380	720	1330	177	840	930	425	375

注：本表中尺寸仅供参考，本产品可根据用户给定尺寸设计制造。  
Note: The sizes of this table are for reference only. The product can be manufactured according to customers' request.



**说明**  
适用于有大推力要求且轴向串动要求较小的船舶使用。

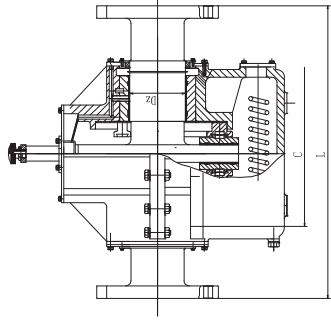
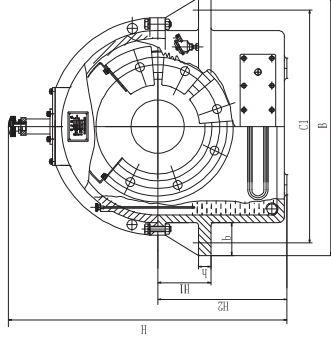
**Remarks:**  
It is suitable for vessels that have a large thrust requirement and a small axial vibration requirement.

### TZ系列船舶推进轴系滑动推力轴承

TZ propulsion shaft gliding thrust bearing



船舶轴系产品  
Marine Shafting Products



### 技术参数

Technical parameters

型号 Model	轴颈直径 Shaft journal diameter Dz	最大使用推力 Pmax(kgf) Use the largest thrust	最大使用推力 Pmax(kgf) When the largest thrust is used
TZ140	140	6000	600/300
TZ160	160	9000	600/200
TZ180	180	12000	600/200
TZ200	200	16000	500/180
TZ220	220	20000	500/180
TZ280	280	30000	350/120

型号 Model	外形近似尺寸 Approximate sizes of appearance										安装近似尺寸 Approximate sizes of installation							
	L	B	H	H1	H2	b	h	铰孔 Reaming		基座螺柱孔 Base bolt hole		C	C1					
								d1	数量 Quantity	d2	数量 Quantity							
TZ140	550	620	650	140	335	70	25	21	4	21	4	550	360					
TZ160	640	700	730	150	380	70	25	21	4	21	4	620	400					
TZ180	720	800	800	150	400	70	30	32	4	31	4	720	500					
TZ200	760	840	835	160	425	70	30	32	4	31	4	770	560					
TZ220	830	870	855	180	465	75	35	32	4	31	8	800	640					
TZ280	950	990	975	180	525	80	35	38	4	37	8	920	760					

注：本表中尺寸仅供参考，本产品可根据用户给定尺寸设计制造。

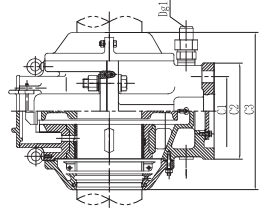
Note: The sizes of this table are for reference only. The product can be manufactured according to customers' request.



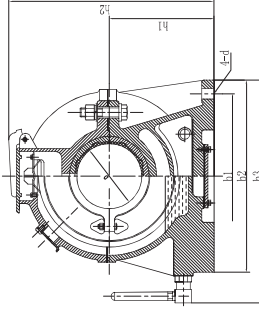
说明：  
长江内河中小型船舶推荐用该类型中间轴承。  
Remarks:  
This type of intermediate bearings is recommended for small and medium vessels in inland water.

● JT/T259(原JT4175) 轴系中间轴承  
JT/T259 (formerly JT4175) shafting intermediate bearing

船舶轴系产品  
Marine Shafting Products



JT/T259(原JT4175)B型滑动式中间轴承  
JT/T259 (formerly JT4175) B gliding intermediate bearing



JT/T259(原JT4175)C型滚动式中间轴承  
JT/T259 (formerly JT4175) C rolling intermediate bearing

标注示例：  
轴径为  $\phi 180$ mm，  
型号为A180 JT/T259

技术参数  
Technical parameters

JT4175 A型和Aa型滑动式中间轴承 JT4175 A and Aa type gliding intermediate bearing

规格 Specifications	D	C1	C2	C3	b1	b2	b3	h1	h2	d	重量 Weight
140	150	210	344	360	420	473	229	450	25	25	115
160	171	231	365	396	456	514	240	472	25	25	119
180	183	253	387	410	480	538	252	491	32	32	151
200	205	275	407	440	510	568	260	529	32	32	170
210	215	285	419	445	515	585	268	547	32	32	189
220	227	297	431	466	536	594	285	555	32	32	207
250	259	329	465	502	572	630	295	590	32	32	252

注：本表中尺寸仅供参考，本产品可根据用户给定尺寸设计制造。

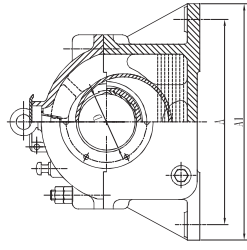
Note: The sizes of this table are for reference only. The product can be manufactured according to customers' request.



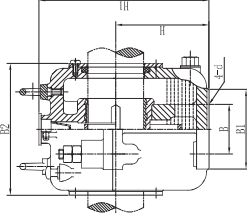
说明：  
B型滑动式中间轴承。C型为滚动式中间轴承。  
长江内河中小型船舶推荐用该类型中间轴承。  
Remarks:  
B type gliding intermediate bearing. Type C is rolling intermediate bearing.  
This type of intermediate bearings is recommended for small vessels in inland water.

● JT/T259(原JT4175) 轴系中间轴承  
JT/T259 (formerly JT4175) shafting intermediate bearing

船舶轴系产品  
Marine Shafting Products



JT/T259(原JT4175)B型滑动式中间轴承  
JT/T259 (formerly JT4175) B gliding intermediate bearing



JT/T259(原JT4175)C型滚动式中间轴承  
JT/T259 (formerly JT4175) C rolling intermediate bearing

技术参数  
Technical parameters

JT4175 B型滑动式中间轴承 JT4175 B gliding intermediate bearing

型号 Model	D	A	A1	B	B1	B2	H	H1	d	重量 Weight
B60 JT4175	60	280	330	60	110	178	130	230	21	32
B70 JT4175	70	290	340	70	120	180	135	242	21	35
B80 JT4175	80	300	350	70	120	190	140	252	21	38
B90 JT4175	90	330	380	80	130	210	150	272	21	46
B100 JT4175	100	340	400	90	150	220	160	282	25	55
B110 JT4175	110	350	410	100	160	240	180	308	25	57
B120 JT4175	120	350	410	100	160	240	180	308	25	60
B140 JT4175	140	405	470	116	180	275	198	340	32	73

JT4175 C型滚动式中间轴承 JT4175 C rolling intermediate bearing

轴承型号 Bearing model	D	D1	H	H1	H2	A	A1	B	B1	B2	H	H1	d	重量 Weight
T3514	70	140	95	224	30	270	310	70	128	21	130	230	21	19
13516	80	160	105	243	30	290	330	80	138	21	135	242	21	26
13518	90	180	120	270	35	320	360	90	148	21	140	252	21	30
13520	100	200	130	290	35	350	390	100	158	21	150	272	21	38
13522	110	215	137.5	310	40	370	420	110	178	25	160	282	25	46
13525	125	250	165	360	45	420	470	130	198	25	180	308	25	59

注：本表中尺寸仅供参考，本产品可根据用户给定尺寸设计制造。

Note: The sizes of this table are for reference only. The product can be manufactured according to customers' request.

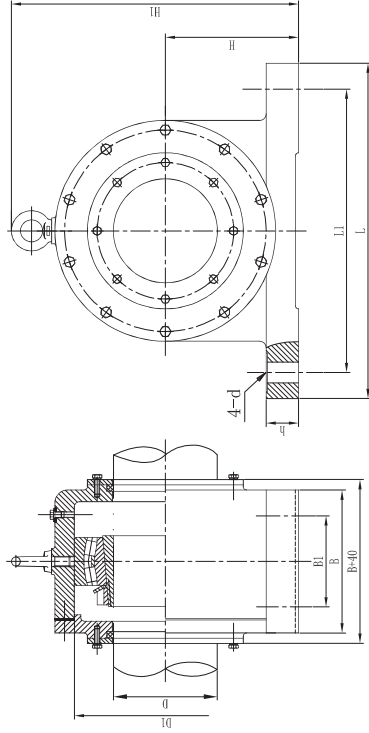


说明：  
D型为整体滚动式中间轴承  
适用于长江内河小型船舶，且船舶轴系设计时为整体滚动式中间轴承的  
场合。  
Remarks:  
Type D is integral rolling intermediate bearing.  
It is suitable for small vessels in inland water when the shafting is  
designed for integral rolling intermediate bearing.

● JT4175 轴系中间轴承  
JT4175 shafting intermediate bearing



船舶轴系产品  
Marine Shafting Products



标注示例：  
轴径为  $\Phi 260\text{mm}$ ，  
型号为 D260 JT4175

JT4175 D型JQ/CS16滚动式中间轴承(外壳整体式)  
JT4175 D JQ/CS16 rolling intermediate bearing (integral housing)

● 技术参数  
Technical parameters

D型JQ/CS16滚动式中间轴承 D JQ/CS16 rolling intermediate bearing

轴承型号 Bearing model	D	D1	L	L1	B	B1	H	H1	d	h	重量 Kg Weight
3253122	110	180	386	326	170	110	150	330	20	35	30
3253123	115	200	406	346	180	120	160	345	20	35	35
3253125	125	210	430	360	190	120	165	360	26	40	43
3253127	135	225	446	376	200	130	175	380	26	40	53
3253128	140	240	476	396	210	130	180	400	26	45	66
3253130	150	250	486	406	220	140	190	415	32	45	80
3253132	160	280	516	436	220	140	205	445	32	50	95
3253134	170	290	540	450	240	150	210	460	38	50	112
3253136	180	310	560	470	240	150	220	485	38	55	130
3253140	200	340	590	500	250	160	240	530	38	55	150
3253144	220	360	640	530	270	160	260	570	44	60	175
3253148	240	400	680	570	290	180	280	610	44	60	200
3253152	260	420	720	600	300	180	300	650	50	65	230
3253156	280	460	760	640	310	190	320	690	50	65	260
3253160	300	480	800	670	320	190	340	730	58	70	290
3253164	320	520	840	710	330	200	360	770	58	70	340

注：本表中尺寸仅供参考，本产品可根据用户给定尺寸设计制造。  
Note: The sizes of this table are for reference only. The product can be manufactured according to customers' request.

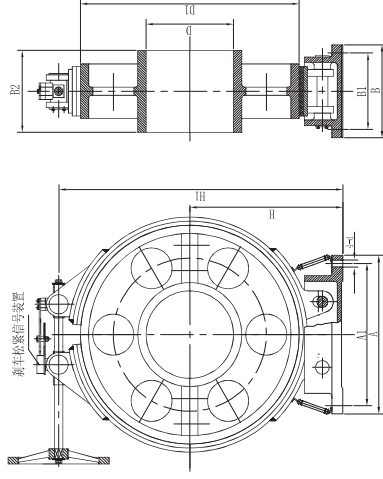


说明  
适用于船舶停航时需锁定艉轴的中小型船舶使用。  
Remarks:  
It is suitable for small and medium vessels whose stern shafts need to  
be locked when they anchor.

● JZ轴系机械制动器  
JZ shafting mechanical brake



船舶轴系产品  
Marine Shafting Products



JZ轴系机械制动器  
JZ shafting mechanical brake

● 技术参数  
Technical parameters

JZ型机械制动器 JZ shafting mechanical brake

型号 Model	D	D1	H	H1	A	A1	B	B1	B2	4-d	重量 Kg Weight
JZ 60	60										84
JZ 70	70										83
JZ 80	80	380	285	505	320	260	160	110	100		82
JZ 90	90										81
JZ 100	100										80
JZ 110	110										124
JZ 120	120										123
JZ 130	130	500	355	645	380	320	200	150	180	21	122
JZ 140	140										121
JZ 150	150										120
JZ 160	160										190
JZ 170	170										188
JZ 180	180	620	450	820	440	380	260	200	240		186
JZ 190	190										184
JZ 200	200										182
JZ 210	210										300
JZ 220	220										295
JZ 230	230	750	520	960	500	540	300	240	280	25	290
JZ 240	240										285
JZ 250	250										280

注：本表中尺寸仅供参考，本产品可根据用户给定尺寸设计制造。  
Note: The sizes of this table are for reference only. The product can be manufactured according to customers' request.



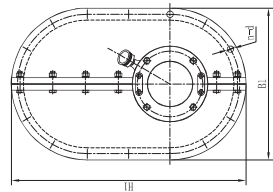
说明  
船舶艙艙空间大的船舶，建议选用A型。  
Remarks:  
Type A is suggested for vessels whose bulkhead space is large.

### JT4174船舶中间轴艙艙填料函

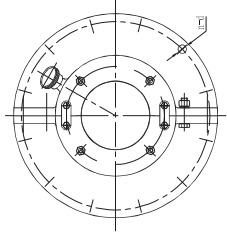
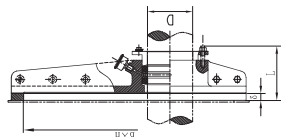
JT4174 countershaft bulkhead stuffing box



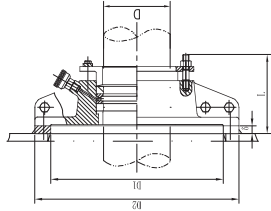
船舶轴系产品  
Marine Shafting Products



A型艙艙填料函  
A bulkhead stuffing box



C型艙艙填料函  
C bulkhead stuffing box

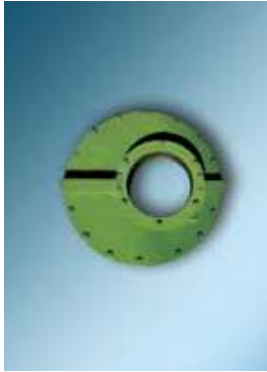


### 技术参数

Technical parameters

型号 Model		JT4174 A型艙艙填料函 A bulkhead stuffing box										C型艙艙填料函 C bulkhead stuffing box					油杯 cm <sup>3</sup> Oil cup
A型	C型	D	B (D1)	H	B1 (D2)	H1	L	δ	n	d							
A70	C70	70	220	360	280	420	120	16	14	13	18						18
A80	C80	80	240	400	300	460	120	16	14	13	18						18
A90	C90	90	260	430	320	490	120	16	14	13	18						18
A100	C100	100	290	490	360	560	120	16	14	13	18						18
A110	C110	110	310	520	380	590	150	20	14	15	25						25
A120	C120	120	350	590	420	660	150	20	14	15	25						25
A130	C130	130	370	610	440	680	150	20	14	15	25						25
A140	C140	140	390	650	460	720	150	20	16	15	25						25
A150	C150	150	410	690	480	760	150	20	16	15	25						25
A160	C160	160	420	710	500	790	190	22	16	17	50						50
A170	C170	170	440	740	520	820	190	22	16	17	50						50
A180	C180	180	450	770	530	850	190	22	16	17	50						50
A190	C190	190	470	800	550	880	190	22	16	17	50						50
A200	C200	200	480	820	560	900	190	22	16	17	50						50

注：本表中尺寸仅供参考，本产品可根据用户给定尺寸设计制造。  
Note: The sizes of this table are for reference only. The product can be manufactured according to customers' request.



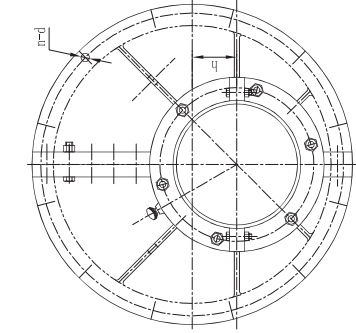
说明  
船舶艙艙空间较小或设计有要求时，可选用B型、C型。  
Remarks:  
When the bulkhead space is small or there is a design requirement, type B and C can be chosen.

### JT4174船舶中间轴艙艙填料函

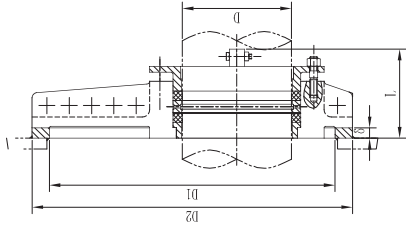
JT4174 B countershaft bulkhead stuffing box



船舶轴系产品  
Marine Shafting Products



B型艙艙填料函  
B bulkhead stuffing box



标注示例：  
轴径为φ300mm，  
型号为B300-JT4174

### 技术参数

Technical parameters

型号 Model		JT4174 B型艙艙填料函 B bulkhead stuffing box										油杯 cm <sup>3</sup> Oil cup				
B型	C型	D	D1	D2	L	h	n	d	δ							
B220	C220	220	576	646	180	90	12	17	22	50						50
B250	C250	250	646	716	180	110	12	17	22	50						50
B280	C280	280	710	780	180	115	12	17	22	50						50
B300	C300	300	755	825	180	120	14	21	28	50						50
B320	C320	320	798	878	210	130	14	21	28	50						50
B350	C350	350	858	938	210	140	14	21	28	50						50
B380	C380	380	918	998	210	150	16	21	28	50						50
B400	C400	400	958	1038	210	160	16	21	28	50						50
B450	C450	450	1065	1145	230	175	16	21	28	100						100
B470	C470	470	1107	1197	230	185	18	25	34	100						100
B500	C500	500	1170	1260	230	195	18	25	34	100						100
B530	C530	530	1234	1324	230	205	18	25	34	100						100
B560	C560	560	1296	1386	250	215	20	25	34	100						100
B600	C600	600	1380	1480	250	230	20	25	34	100						100

注：本表中尺寸仅供参考，本产品可根据用户给定尺寸设计制造。  
Note: The sizes of this table are for reference only. The product can be manufactured according to customers' request.